

## Features

- ↓ Easy to install
- 🔧 Rugged and reliable
- 👍 Long life probe cable
- ⚙️ Program heavy-duty relay action
- 🛡️ Optional intrinsically safe probe barrier
- 🕒 Optional time delay

## Description

The Delta Controls **Model 835** Tilt Switch detects the presence or absence of material at the elevation of its probe. The arriving material pushes the lower end of the hanging probe to one side. An internal drop of liquid acts as a **tilt sensor** and **signals** when the probe moves to an angle of 15 degrees away from vertical.

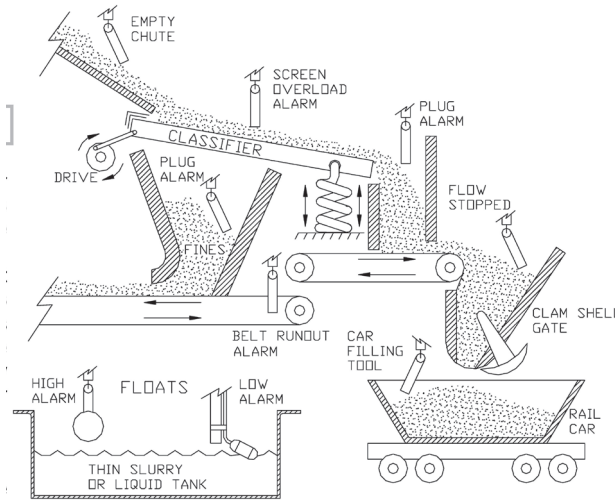
The tilt signal is handled in accordance with the programmed setup. The output relay energizes if the probe remains vertical for the preset time period. The interconnecting cable is very flexible. Each wire has rubber insulation with the outer jacket constructed with **abrasion resistant rubber**.



Model 835

## Specifications

<b>Circuit Board:</b>	Epoxy-glass; acrylic sealed
<b>Relay:</b>	DPDT 5 A at 240 ACV
<b>Relay Action:</b>	Energized when probe is vertical
<b>Terminals:</b>	Clamp ≤ 12 gauge (2 mm) wire
<b>Supply Power:</b>	ACV 50 Hz to 60 Hz, 20 W
<b>Operating Temperature:</b>	-20 °F to +190 °F (-29 °C to +88 °C)
<b>Time Delay (On Return to Vertical Position):</b>	1 s to 90 s (status indicators included)
<b>Certifications:</b>	Third Party Listed by CSA NRTL/C (USA and Canada) Class I, Groups B, C and D; Class II, Groups E, F and G; Class III; Encl 4X:
<b>Explosion-proof Housing Option:</b>	



## Model Numbering System

**MODEL EXAMPLE**    **MODEL** - **SUPPLY VOLTAGE** - **HOUSING** - **OPTIONS<sup>2</sup>**

**835A** - **1** - **4X** - **AA**

MODEL	DESCRIPTION
835A	Tilt Switch, 1 Point
835B	Tilt Switch, 2 Point
835C	Tilt Switch, 4 Point

SUPPLY VOLTAGE	DESCRIPTION
1	120 ACV
2	240 ACV

HOUSING	DESCRIPTION
4X	Hose-proof, Fiberglass, Stainless steel hinges and latches
7X	Explosion-proof, Class 1 Division 1, Groups BCD, 4X Hose-proof, Aluminum

OPTIONS <sup>2</sup>	DESCRIPTION
AA	None
PSM	2 in pipe stand mounting bracket
TD	Time delay on each point, individually adjustable
IS	Intrinsically safe probes electrical barrier
IL	Indicator lights

Notes:

- <sup>2</sup> A hyphen will separate multiple options selected
- Option IL only available with 4X housing
  - Option IS not available with 4X Housing

### REQUIRED ORDERING INFORMATION:

- Detailed model number
- Tag or nameplate detail (if required)
- Documentation & testing packages (if required, refer to Additional Resources)