

FLOW TOTALIZER MODEL 328FM LOOP-POWERED 4-20mA

TS 328FM

FEATURES

- Versatile – Measures Water, Sewage, and Slurries
- Improved Personnel Safety for Hazardous Places such as Sewers, Pump Pits, Covered Lagoons, Etc.
- Easy Pushbutton Setup
- Suitable for Most Flumes, and Weirs;
- Intrinsically Safe Classification Improves Safety and Lowers Cost of Installation and Operation

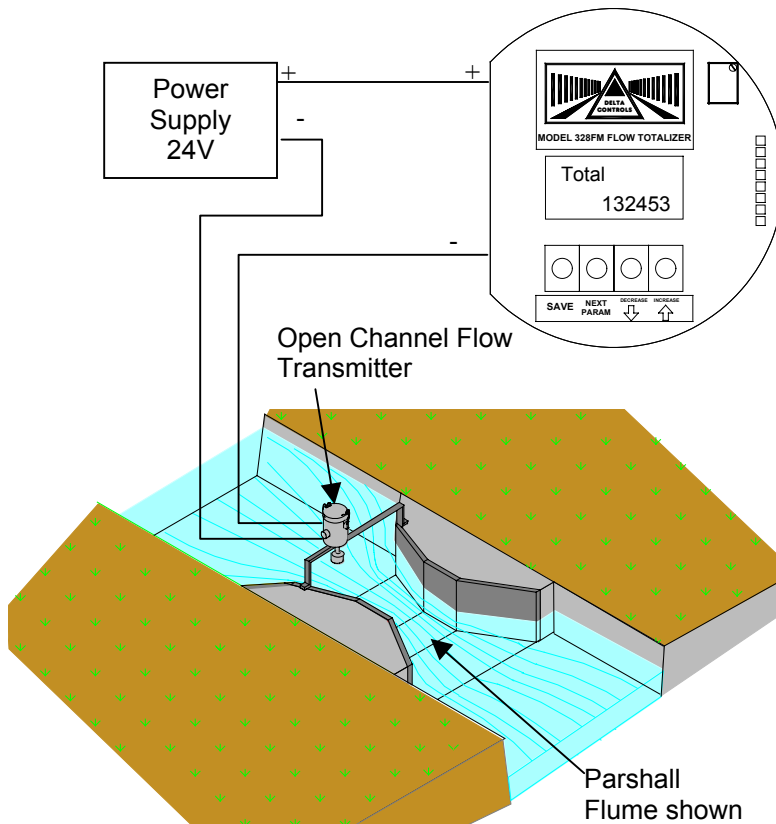
APPLICATION

The 328FM is a loop-powered flow totalizer used in conjunction with a level transmitter or flowrate transmitter to calculate total flow in an open channel.

The unit receives a 4-20 mA signal that is either proportional to the liquid level in the channel, or that is proportional to the flow rate in the channel. The unit calculates the flow from the input signal and displays the total flow in user selectable units of measure.



Model 328FM in type 4X housing

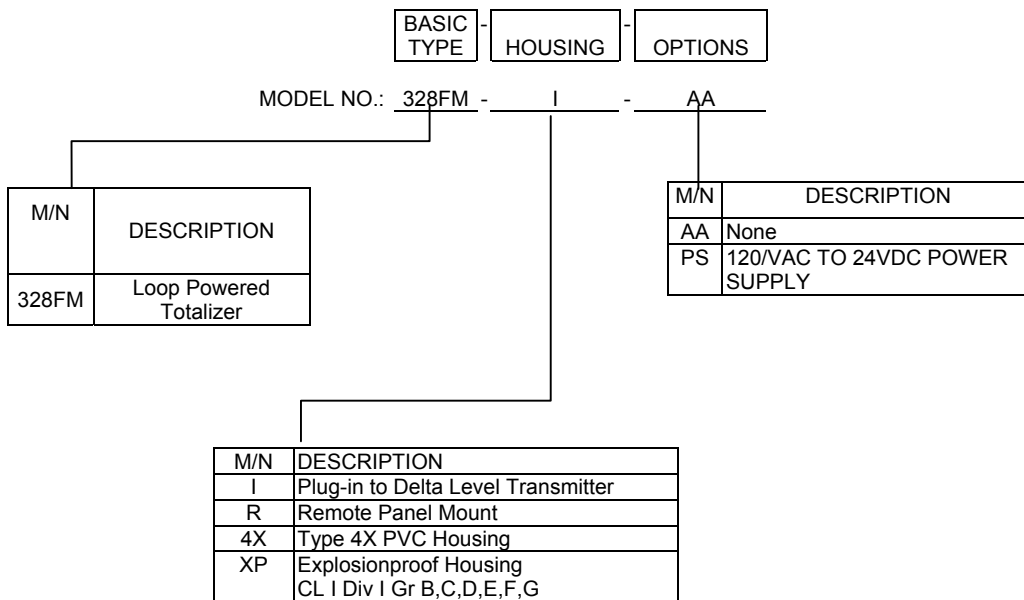


BASIC SPECIFICATIONS

Input	4-20mADC isolated
Voltage Drop (Max)	7 volts.
Flow Elements Supported	Parshall Flume, Rectangular Weir, Trapezoidal Weir, Cipolletti Weir, V-notch Weir, Palmer-Bowlus Flume, and others.
Linearization Curve	$(K_p - K_h * H)^{K_e}$
Accuracy	Better than 0.125%FS
Indication	Flow rate, Total flow, Input Current
Calibration Entry	4 pushbutton entry switches
Memory Protection	Non-volatile
Wiring Connections	#6 Terminal posts, Banana plug
Intrinsically Safe	Class I, Divisions 1 and 2, Groups ABCD; Class II, Groups EFG;
With I.S. Barrier,	
Entity Parameters (Intrinsically Safe)	Vmax 37 Volts Imax 200mA Ci 0.05µF Li 0µH
Ambient Temp Range	-10 °F to 150 °F (Basic unit)
Maintenance	Scheduled periodic maintenance is not normally required
Approvals	CSA (USA and Canada);
ISO 9001 Quality System	

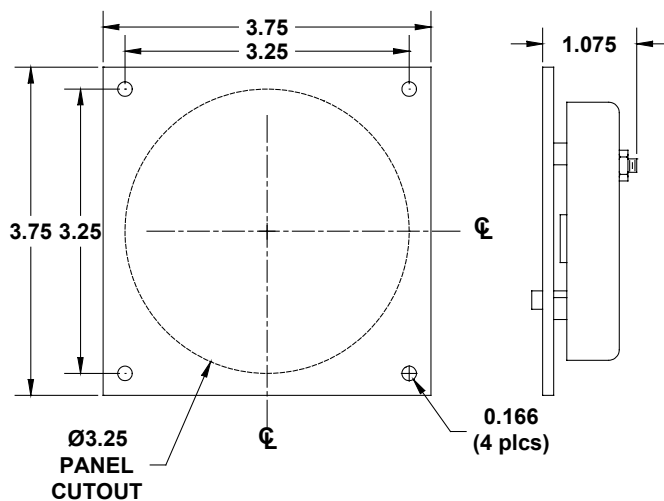
DELTA CONTROLS Corporation

MODEL NUMBERING SYSTEM



Flexible Mounting Configurations

The 328FM is designed to be plugged directly into Delta Controls Pressure transmitters and RF Admittance Level transmitters. It can also be mounted in a stand-alone environmental housing or panel-mounted in the user's instrument panel.



Simple User Interface

The Model 328FM has a built-in display and keypad. 4 pushbuttons allow simple setup of calibration parameters.



DELTA CONTROLS CORP

Engineered Sensors – For Difficult Services

585 Fortson Street
Shreveport, La. 71107 - USA



Voice: 318-424-8471
 Fax: 318-425-2421
 E-mail: delta@deltacnt.com
 Web Site: <http://www.deltacnt.com>